

SVT

110

130

180

200

280

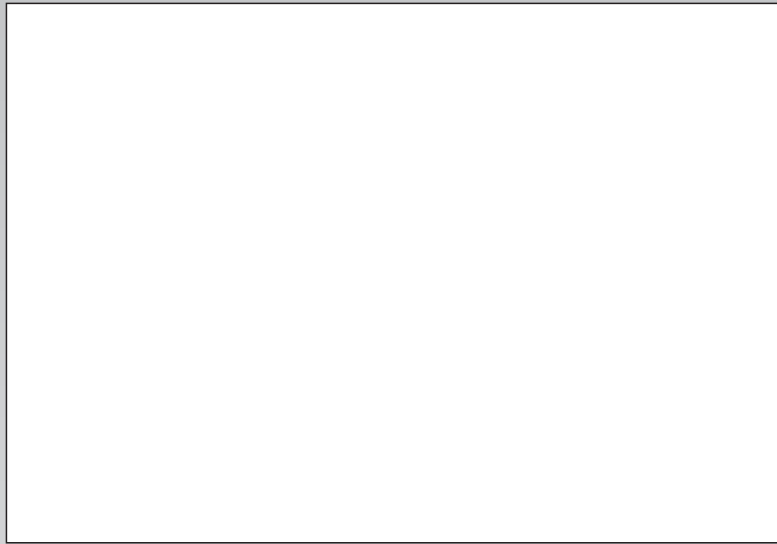
**Installation,
User and
Service Manual**



state
WATER HEATERS

0312745 0118 - Changes Reserved.





your installer

**Read this manual
carefully**

Warning

Read this manual carefully before starting the water heater. Failure to read the manual and to follow the printed instructions may lead to personal injury and damage to the water heater.

Copyright © 2018

All rights reserved.

Nothing from this publication may be copied, reproduced and/or published by means of printing, photocopying or by whatsoever means, without the prior written approval of the supplier.

The supplier reserves the right to modify specifications stated in this manual.

Trademarks

Any brand names mentioned in this manual are registered trademarks of their respective owners.

Liability

The supplier accepts no liability for claims from third parties arising from unauthorised use, use other than that stated in this manual, and use other than in accordance with the General Conditions registered at the Chamber of Commerce.

Refer further to the General Conditions. These are available on request, free of charge.

Although considerable care has been taken to ensure a correct and suitably comprehensive description of all relevant components, the manual may nonetheless contain errors and inaccuracies. Should you detect any errors or inaccuracies in the manual, we would be grateful if you would inform us. This helps us to further improve our documentation.

More information

If you have any comments or queries concerning specific aspects related to the water heater, then please do not hesitate to contact the supplier.

In the event of problems with your gas, electricity or water supply connections, please contact the supplier/installation engineer of your installation.



Table of contents

| | | |
|----------|---|-----------|
| 1 | Technical specifications | 7 |
| 1.1 | Floor load | 7 |
| 1.2 | Water composition | 7 |
| 1.3 | Working clearance | 7 |
| 1.4 | Packaging | 7 |
| 1.5 | Disposal | 7 |
| 1.6 | General specifications | 8 |
| 1.7 | Dimensions | 8 |
| 2 | Installation | 11 |
| 2.1 | Installation diagram | 11 |
| 2.2 | Water connections | 11 |
| 3 | Filling and Draining | 13 |
| 3.1 | Filling | 13 |
| 3.2 | Draining | 14 |
| 4 | Maintenance | 15 |
| 4.1 | Preparation for maintenance | 15 |
| 4.2 | Water-side maintenance | 15 |
| 5 | Warranty | 17 |
| 5.1 | General warranty | 17 |
| 5.2 | Tank warranty | 17 |
| 5.3 | Conditions for installation and use | 17 |
| 5.4 | Exclusions | 18 |
| 5.5 | Scope of warranty | 18 |
| 5.6 | Claims | 18 |
| 5.7 | Obligations of the supplier | 18 |



1

Technical specifications

1.1 Floor load

Allow for the water heater's weight and the maximum floor load; refer to the table (1.4 "General specifications").

1.2 Water composition

The water heater is intended for heating drinking water. The drinking water must comply with the regulations governing drinking water for human consumption. The table gives an overview of the specifications.

Water specifications

| Water composition | |
|-----------------------------------|---|
| Hardness (alkaline earth ions) | > 1,00 mmol/l: • German hardness > 5,6 °dH • French hardness > 10,0 °fH • English hardness > 7,0 °eH • > 100 mg/l CaCO ₃ |
| Conductivity | > 125 µS/cm |
| Acidity (pH value) | 7,0 < pH value < 9,5 |

Note

If the water specifications deviate from those stated in the table, then the tank protection cannot be guaranteed (4"Warranty").

1.3 Working clearance

For access to the water heater, it is recommended that the following clearances are observed:

- around the anode connection: 100 cm.
- around the water heater: 50 cm.
- top of the water heater: 50 cm

1.4 Packaging

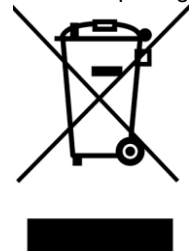
The packaging prevents damage to the appliance during transport. The packaging material chosen is environmentally friendly, recyclable and relatively easy to dispose of in an environmentally aware way.



1.5 Disposal

Old end-of-life appliances contain materials that need to be recycled. When disposing of old devices that have reached the end of their service life, you should take account of local legislation relating to waste disposal.

You must therefore never dispose of your old appliance together with regular waste, but should and it into a municipal waste collection depot for electrical and electronic equipment. Ask your dealer/installation engineer for advice if necessary. The old appliance must be stored out of reach of children.



1.6 General specifications

General specifications

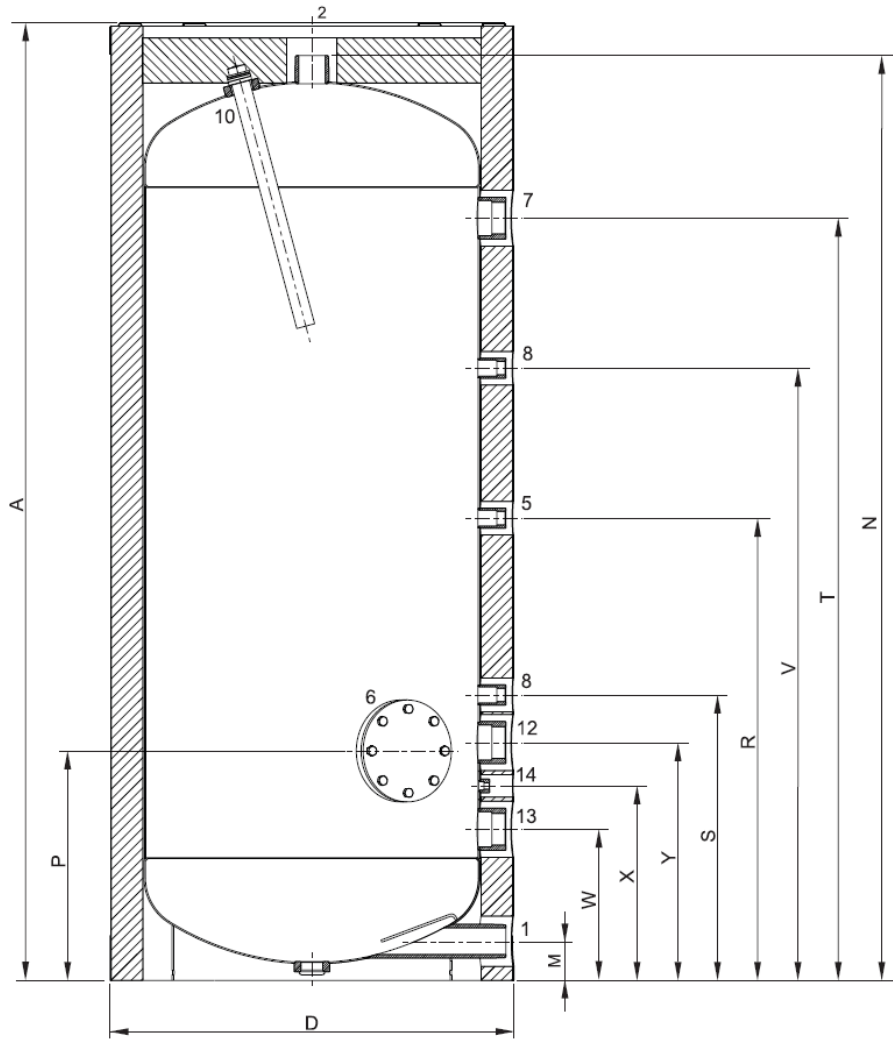
| | Unit | SVT 110 | SVT 130 | SVT 180 | SVT 200 | SVT 280 |
|--|-----------|-----------|-----------|-----------|-----------|-----------|
| Contents | litres | 405 | 499 | 678 | 763 | 1055 |
| Empty weight | kg | 99 | 131 | 179 | 201 | 262 |
| Maximum floor load | kg | 504 | 630 | 857 | 964 | 1317 |
| Energy Efficiency Class (Energy Label) | - | C | C | - | - | - |
| Heat Loss | W | 100 | 104 | 126 | 126 | 146 |
| Maximum operating pressure | kPa (bar) | 1000 (10) | 1000 (10) | 1000 (10) | 1000 (10) | 1000 (10) |
| Maximum water temperature | °C | 95 | 95 | 95 | 95 | 95 |
| Anodes | - | 1 | 1 | 1 | 1 | 1 |

1.7 Dimensions

Dimensions

| | | Unit | SVT 110 | SVT 130 | SVT 180 | SVT 200 | SVT 280 |
|----|---|------|---------|---------|---------|---------|---------|
| A | Total height | mm | 1710 | 2045 | 1840 | 2035 | 2005 |
| D | Diameter (without insulation) | mm | 600 | 600 | 750 | 750 | 900 |
| | Diameter (with insulation) | mm | 740 | 760 | 910 | 930 | 1100 |
| M | Height cold water inlet | mm | 70 | 70 | 85 | 85 | 95 |
| N | Height warm water outlet | mm | 1655 | 1995 | 1805 | 2000 | 1965 |
| P | Height inspection opening | mm | 410 | 410 | 500 | 500 | 535 |
| R | Height circulation | mm | 825 | 995 | 1045 | 1085 | 1105 |
| S | Height connection immersion well/temp. sensor | mm | 510 | 510 | 655 | 655 | 705 |
| T | Height T&P | mm | 1360 | 1700 | 1470 | 1655 | 1595 |
| V | Height connection | mm | 1095 | 1350 | 1260 | 1380 | 1355 |
| W | Height connection | mm | 270 | 270 | 270 | 315 | 315 |
| X | Height connection | mm | 355 | 355 | 355 | 405 | 405 |
| Y | Height connection | mm | 425 | 425 | 425 | 485 | 485 |
| 1 | Connection cold water inlet | - | R 2" | R 2" | R 1½" | R 1½" | R 2½" |
| 2 | Connection warm water outlet | - | R 2" | R 2" | R 1½" | R 1½" | R 2½" |
| 5 | Connection | | Rp ¾" | Rp ¾" | Rp ¾" | Rp ¾" | Rp ¾" |
| 6 | Diameter inspection opening | mm | 115 | 115 | 180 | 180 | 180 |
| 7 | Connection T&P | - | Rp 1½" | Rp 1½" | Rp 1½" | Rp 1½" | Rp 1½" |
| 8 | Connection | | Rp ¾" | Rp ¾" | Rp ¾" | Rp ¾" | Rp ¾" |
| 10 | Connection anode | - | Rp 1¼" | Rp 1¼" | Rp 1¼" | Rp 1¼" | Rp 1¼" |
| 12 | Connection | | Rp 1½" | Rp 1½" | Rp 1½" | Rp 1½" | Rp 1½" |
| 13 | Connection | | Rp 1½" | Rp 1½" | Rp 1½" | Rp 1½" | Rp 1½" |
| 14 | Connection | | Rp ¼" | Rp ¼" | Rp ¼" | Rp ¼" | Rp ¼" |

Front sectional view of the appliance



IMD-1294 R0



2

Installation

2.1 Installation diagram

This figure shows the installation diagram. This diagram is referred to in the sections describing the actual connection procedure.

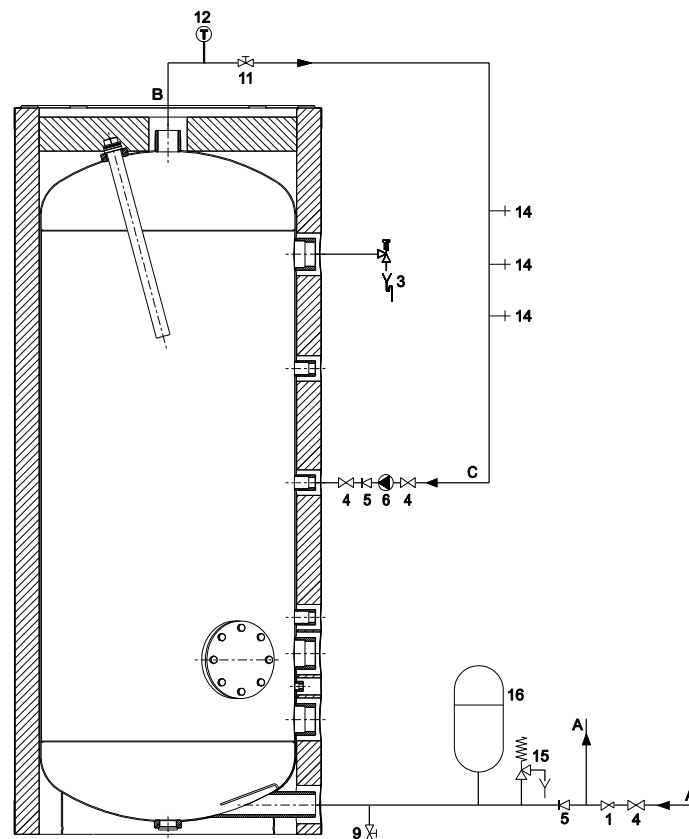
Note

These products can be installed as vented and unvented. This manual only discusses unvented installations. For information about vented installations please contact your supplier.

Installation Diagram

Legend

1. pressure relief valve
(mandatory if mains water pressure is too high)
 3. T&P-valve (mandatory)
 4. stop valve (recommended)
 5. non-return valve (mandatory)
 6. circulation pump (optional)
 9. drain valve
 11. service stop valve
 12. temperature gauge (optional)
 14. draw-off points
 15. expansion valve (mandatory)
 16. expansion vessel (mandatory)
- A. cold water supply
B. hot water supply
C. circulation pipe



IMD-0550 R1.0

2.2 Water connections

Warning

The installation should be carried out by a competent person, in compliance with general and locally applicable regulations.

2.2.1

Cold water side

See (A) in the installation diagram (2.1 "Installation diagram").

1. Fit an approved stop valve (4) on the cold water side as required by the applicable regulations.
2. The maximum working pressure of the water heater is 10 bar. Because the pressure in the water pipe at times can exceed 10 bar, you must fit an approved pressure-reducing valve (1).
3. Fit a non-return valve (5) and an expansion vessel (16).
4. Fit an expansion valve (15) and connect the overflow side to an open waste water pipe.

2.2.2 Hot Water side

See (B) in the installation diagram ([2.1 "Installation diagram"](#)).

Note

Insulating long hot water pipes prevents unnecessary energy loss.

1. Optional: fit a temperature gauge (12) so you can check the temperature of the tap water.
2. Fit the T&P valve (3).
3. Fit a stop valve (11) in the hot water outlet pipe for servicing.

2.2.3 Circulation pipe

See (C) in the installation diagram ([2.1 "Installation diagram"](#)).

If an immediate flow of hot water is required at draw-off points, a circulation pump can be installed. This improves comfort, and reduces water wastage.

1. Fit a circulation pump (6) of the correct capacity for the length and resistance of the circulation system.
2. Fit a non-return valve (5) after the circulation pump to guarantee the direction of circulation.
3. Fit two stop valves for servicing (4).
4. Connect the circulation pipe according to the installation diagram ([2.1 "Installation diagram"](#)).

3

Filling and draining

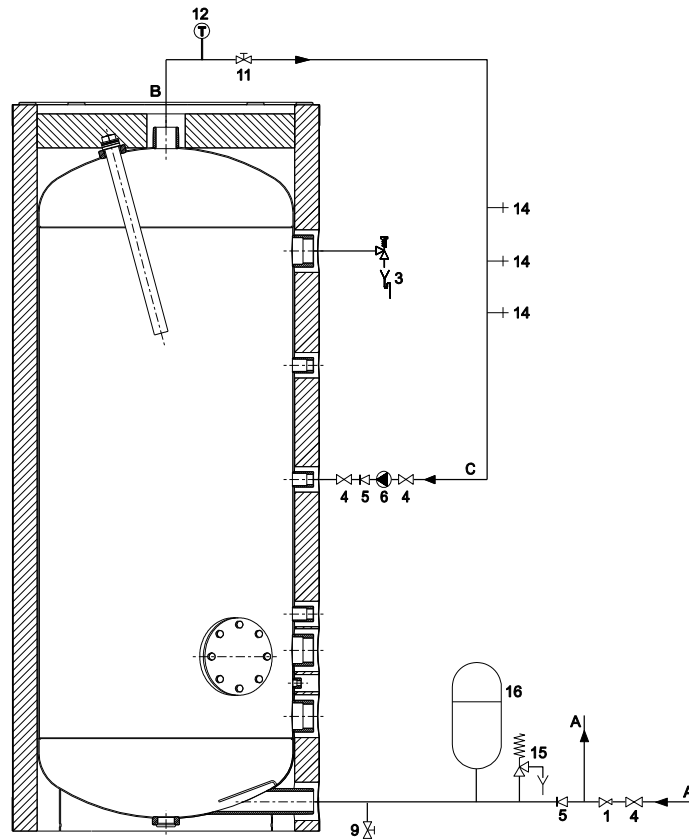
Note

These products can be installed as vented and unvented. This manual only discusses unvented installations. For information about vented installations please contact your supplier.

Installation Diagram

Legend

1. pressure relief valve
(mandatory if mains water pressure is too high)
 3. T&P-valve
 4. stop valve (recommended)
 5. non-return valve
(mandatory)
 6. circulation pump (optional)
 9. drain valve
 11. service stop valve
 12. temperature gauge
(optional)
 14. draw-off points
 15. expansion valve
(mandatory)
 16. expansion vessel
(mandatory)
- A. cold water supply
B. hot water supply
C. circulation pipe



IMD-0550 R1.0

3.1 Filling

To fill the water heater, proceed as follows:

1. Open the stop valve (11) in the hot water pipe and, if present, the stop valves (4) for the circulation pump (6).
2. Close the drain valve (9).
3. Open the nearest hot water draw-off point (14).
4. Open the stop valve (4) on the cold water side (A) so that cold water flows into the water heater.
5. Completely fill the water heater. When a full water jet flows from the nearest draw-off point, the water heater is full.
6. Bleed the entire installation of air, for example by opening all draw-off points.
7. The water heater is now under water supply pressure. There should now be no water coming out of the inlet combination expansion valve or (if used) out of the T&P valve (3). If there is, the cause might be:
 - The water supply pressure is greater than the specified value (1.6 "General specifications"). Rectify this by fitting a pressure reducing valve (1).
 - The expansion valve in the protected cold supply set-up is defective or incorrectly fitted.

3.2 Draining

1. Close the stop valve (4) between the cold water head tank and the cold water inlet (A).
2. Open the drain valve (9).
3. Bleed the water heater (or installation) so that it drains completely.

4 Maintenance

Warning

Maintenance may only be carried out by a competent person.

At each service, the water heater undergoes maintenance on water side. The maintenance must be carried out in the following order.

1. Preparation for maintenance
 2. Water-side maintenance
 3. Finalising maintenance
-

Note

Before ordering spare parts, it is important to write down the installation type, water heater model and the full serial number of the water heater. These details can be found on the rating plate. Only by ordering with this information can you be sure receiving the correct spare parts.

4.1 Preparation for maintenance

The preparation for maintenance consists of testing and checking if all components are still working properly by completing the following steps:

1. Test the operation of the overflow valve of the protected cold supply setup. The water should discharge out.
2. Check the drainage pipes from the discharge points of all valves and remove any scale deposits that may be present.
3. Drain the water heater.

4.2 Water-side maintenance

Water-side maintenance consists of descaling and cleaning the tank and checking the anodes.

4.2.1 Descaling and cleaning the tank

Scale and lime build-up prevent effective conduction of the heat to the water. Periodic cleaning and descaling prevents build-up of these deposits. This increases the service life of the water heater, and also improves the heating process.

Take the rate of scale formation into account when deciding on the service interval. Scale formation depends on the local water composition, the water consumption and the water temperature setting. A water temperature setting of maximum 60°C is recommended for the prevention of excessive scale build-up.

To guarantee a good, watertight seal around the cleaning opening, replace the gasket, washers, bolts and, if necessary, the lid with new parts before reassembly. Spare parts are obtainable from the supplier/manufacturer.

To simplify descaling and cleaning of the tank, the water heater is equipped with a cleaning opening.

Work order:

1. Undo bolts from the cover.
2. Remove cover and the gasket.
3. Inspect the tank and remove the loose scale deposits and contamination.
4. If the scale cannot be removed by hand, descale the water heater with a descaling agent. Contact the supplier/manufacturer for advice on what descaling agent to use.
5. Close the cleaning opening. To avoid damage to the tank, tighten the bolts, that fasten the lid, with a torque no greater than 50 Nm. Use suitable tools for this.

4.2.2 Checking anodes

Anodes ensure the protection of the tank by sacrificing themselves. Insufficient anode material may lead to poor protection and, hence, leakage of the tank.

1. Loosen the anodes one by one.
2. Check the diameter of each anode in different places. The diameter must be at least 60% of the original diameter.
3. If the diameter is less than the minimum, the anode must be replaced. Please contact the supplier/manufacturer to order new anodes.
4. Mount the (new) anodes.

5 Warranty

5.1 General warranty

If within one year of the original installation date of a water heater supplied by the supplier, following verification, and at the sole discretion of the supplier, an assembly or part (with exclusion of the tank) proves to be defective or fails to function correctly due to manufacturing and/or material defects, then the supplier shall repair or replace this assembly or part.

5.2 Tank warranty

If within 3 years of the original installation date of a water heater supplied by the supplier, following verification, and at the sole discretion of the supplier, the glass-lined steel tank proves to be leaking due to rust or corrosion occurring on the water side, then the supplier shall offer to replace the defective water heater with an entirely new water heater of equivalent size and quality. The warranty period given on the replacement water heater shall be equal to the remaining warranty period of the original water heater that was supplied. Notwithstanding that stated earlier in this article, in the event that unfiltered or softened water is used, or allowed to stand in the water heater, the warranty shall be reduced to one year from the original installation date.

5.3 Conditions for installation and use

The warranty set out in articles 1 and 2 will apply solely under the following conditions:

- a. The water heater is installed under strict adherence to the supplier installation instructions for the specific model, and the relevant government and local authority installation and building codes, rules and regulations in force at the time of installation.
- b. The water heater remains installed at the original site of installation.
- c. The water heater is used exclusively with drinking water, which at all times can freely circulate (a separately installed heat exchanger is mandatory for heating saline water or corrosive water).
- d. The tank is safeguarded against harmful scaling and lime build-up by means of periodic maintenance.
- e. The water temperatures in the heater do not exceed the maximum setting.
- f. The water pressure and/or heat load do not exceed the maximum values stated on the water heater rating plate.
- g. The water heater is installed in a non-corrosive atmosphere or environment.
- h. The water heater is connected to a protected cold supply arrangement, which is: approved by the relevant authority; with sufficient capacity for this purpose; supplying a pressure no greater than the working pressure stated on the water heater; and where applicable by a likewise approved temperature and pressure relief valve, fitted in accordance with installation instructions of the supplier applying to the specific model of water heater, and further in compliance with the government and local authority installation and building codes, rules and regulations.
- i. The water heater is at all times fitted with cathodic protection. If sacrificial anodes are used for this, these must be replaced and renewed when, and as soon as, they are 60% or more consumed. When power anodes are used, it is important to ensure that they continue to work properly.

5.4 Exclusions

The warranty set out in articles 1 and 2 will not apply in the event of:

- a. damage to the water heater caused by an external factor;
- b. misuse, neglect (including frost damage), modification, incorrect and/or unauthorised use of the water heater and any attempt to repair leaks;
- c. contaminants or other substances having been allowed to enter the tank;
- d. the conductivity of the water being less than 125 $\mu\text{S}/\text{cm}$ and/or the hardness (alkaline-earth ions) of the water being less than 1.00 mmol/lit
- e. unfiltered, recirculated water flowing through or being stored in the water heater;
- f. any attempts at repair to a defective water heater other than by an approved service engineer.

5.5 Scope of the warranty

The obligations of the supplier pursuant to the specified warranty are limited to free delivery from the warehouse of the replacement assemblies, parts or water heater, respectively. Shipping, labour, installation and any other costs associated with the replacement will not be accepted by the supplier.

5.6 Claims

A claim on grounds of the specified warranty must be submitted to the dealer from whom the water heater was purchased, or to another authorised dealer for the supplier. Inspection of the water heater as referred to in articles 1 and 2 shall take place in one of the laboratories of the supplier.

5.7 Obligations of the supplier

The supplier grants no other warranty or guarantee over its water heaters nor the (assemblies or parts of) water heaters supplied for replacement, other than the warranty expressly set out in this Certificate.

Under the terms of the supplied warranty, the supplier is not liable for damage to persons or property caused by (assemblies or parts, or the glass-lined steel tank of) a (replacement) water heater that it has supplied.